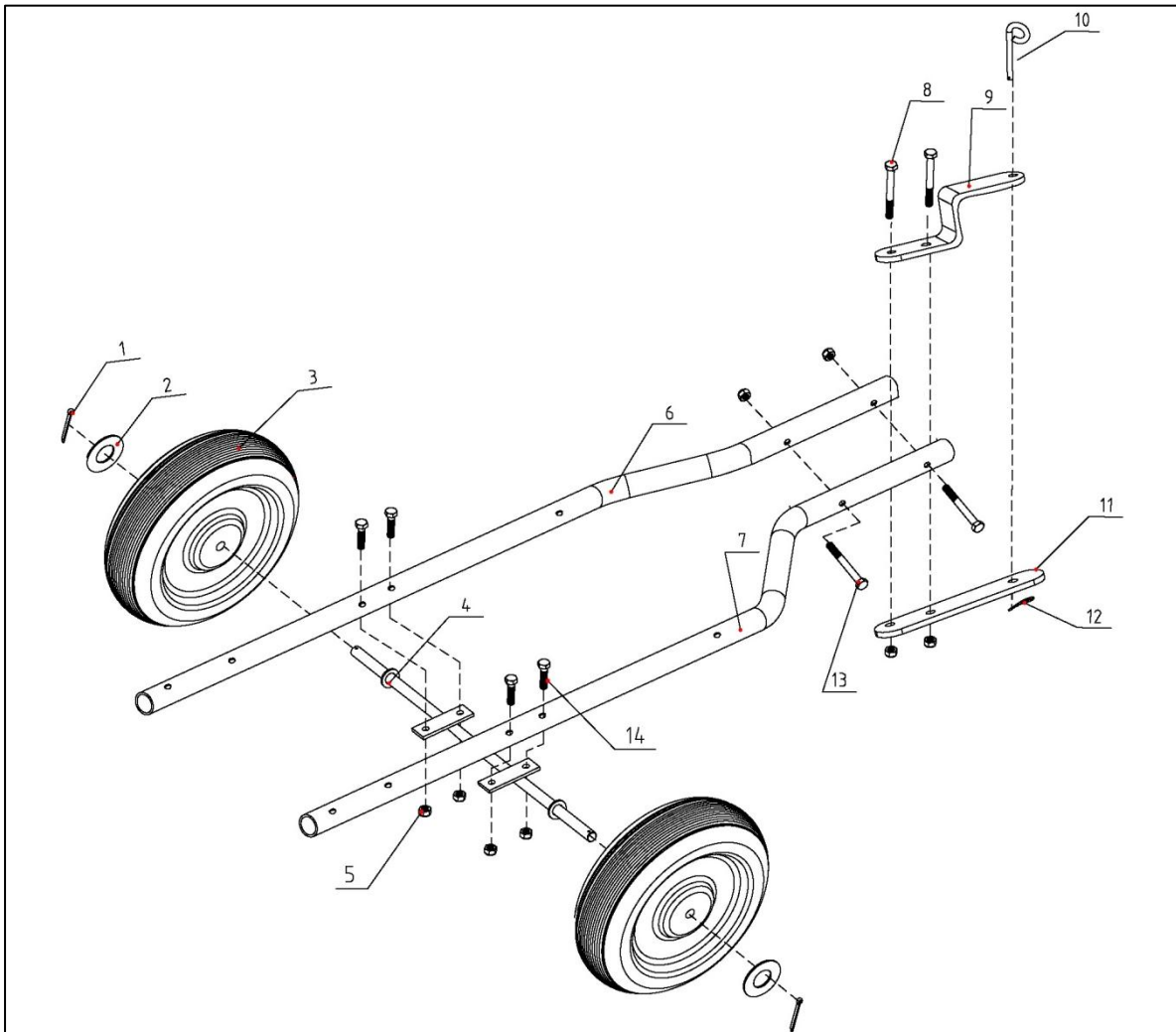


SPARYER WAGON FRAME

DRAWING & PARTS LIST



| PART NO. | DESCRIPTION | QTY | PART NO. | DESCRIPTION | QTY |
|----------|-----------------------|-----|----------|------------------|-----|
| 1 | Cotter Pin Ø3x30 | 2 | 8 | Hex Bolt M8x60 | 2 |
| 2 | Small Flat Washer Ø16 | 2 | 9 | Connecting Plate | 1 |
| 3 | Wheel Assembly | 2 | 10 | Pin | 1 |
| 4 | Axle Weldment | 1 | 11 | Adjusting Plate | 1 |
| 5 | Nylon Lock Nut M8 | 8 | 12 | R Pin Ø3x50 | 1 |
| 6 | Left Tube | 1 | 13 | Hex Bolt M8x70 | 2 |
| 7 | Right Tube | 1 | 14 | Hex Bolt M8x45 | 4 |