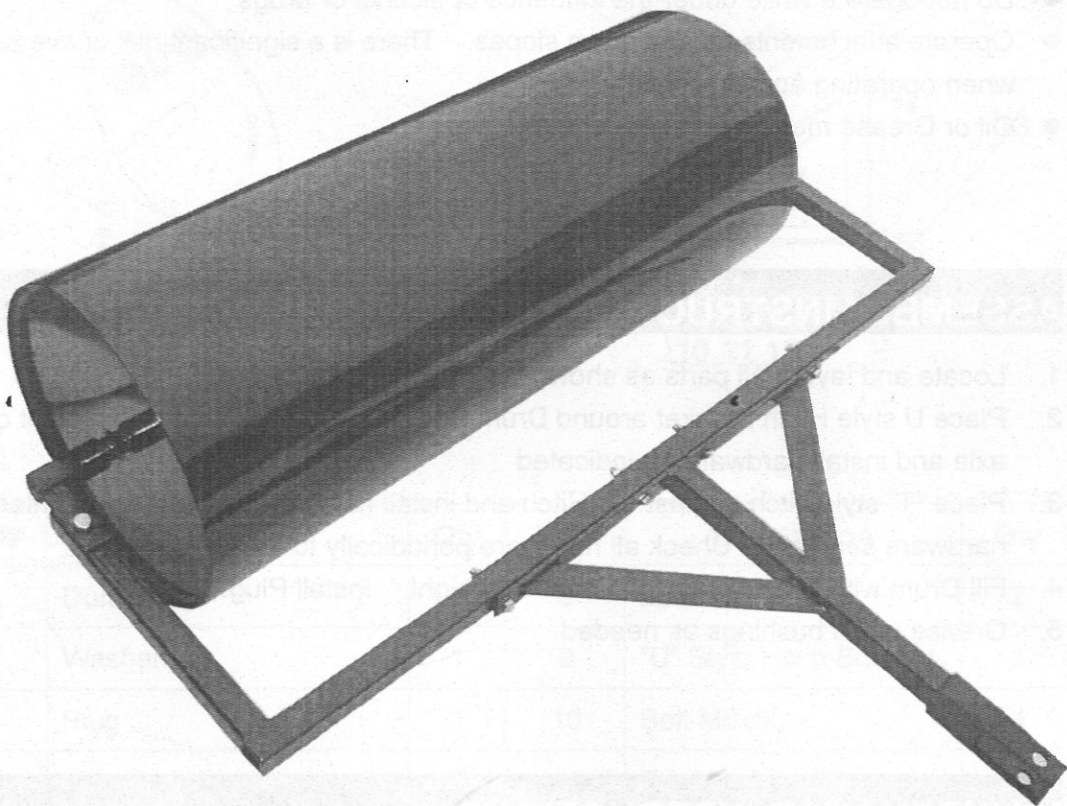


LAWN ROLLER



**ASSEMBLY
& OPERATING
INSTRUCTIONS**

SAFETY OPERATIONS

- Keep the operating speed LOW !! Do not operate over 5 MPH (8 KPH)
- Be sure that the area is clear before operating. Children are often attracted to the machine and operating activity. Never assume that children will remain where you last saw them. Keep children under the watchful care of another responsible adult.
- Read this manual and learn to operate this equipment safely
- Stop and inspect the equipment if you strike and object. Repair if necessary, before restarting
- Dress properly. Do not operate when bare foot or wearing open sandals
- Do not operate while under the influence of alcohol or drugs
- Operate attachments up and down slopes. There is a significant risk of overturns when operating across slopes
- Oil or Grease moving parts as required.

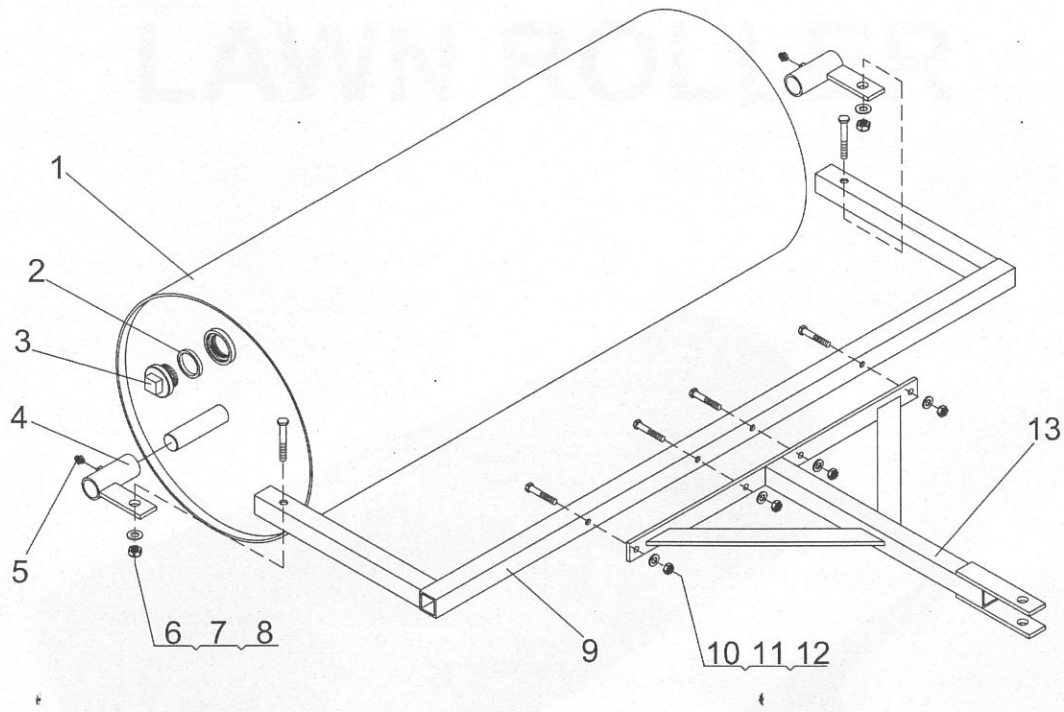
ASSEMBLY INSTRUCTIONS

1. Locate and layout all parts as shown below.
2. Place U style Hitch Bracket around Drum Body, Slip Joint Bushing Weldment over axle and install hardware as indicated
3. Place "T" style hitch against "U" Hitch and install hardware indicated. Tighten all hardware securely. Check all hardware periodically to assure tightness.
4. Fill Drum with water to achieve desired weight. Install Plug.
5. Grease or Oil bushings as needed.

MAINTENANCE INSTRUCTIONS

1. Lubricate Bushings as needed.
2. Drain water completely from drum before winter storage.
3. Check hardware for tightness before each use.

DRAWING & PARTS LIST



Ref#	Description	Qty	Ref#	Description	Qty
1	Dum Body	1	8	Lock Nut M10	2
2	Washer	1	9	"U" Style Hitch Bracket	1
3	Plug	1	10	Bolt M8x50	4
4	Joint Bushing	2	11	Flat Washer Ø8	4
5	Grease Fitting	2	12	Lock Nut M8	4
6	Bolt M10x55	2	13	"T" Style Hitch Bracket	1
7	Flat Washer Ø10	2			

ASSEMBLY
& OPERATING
INSTRUCTIONS