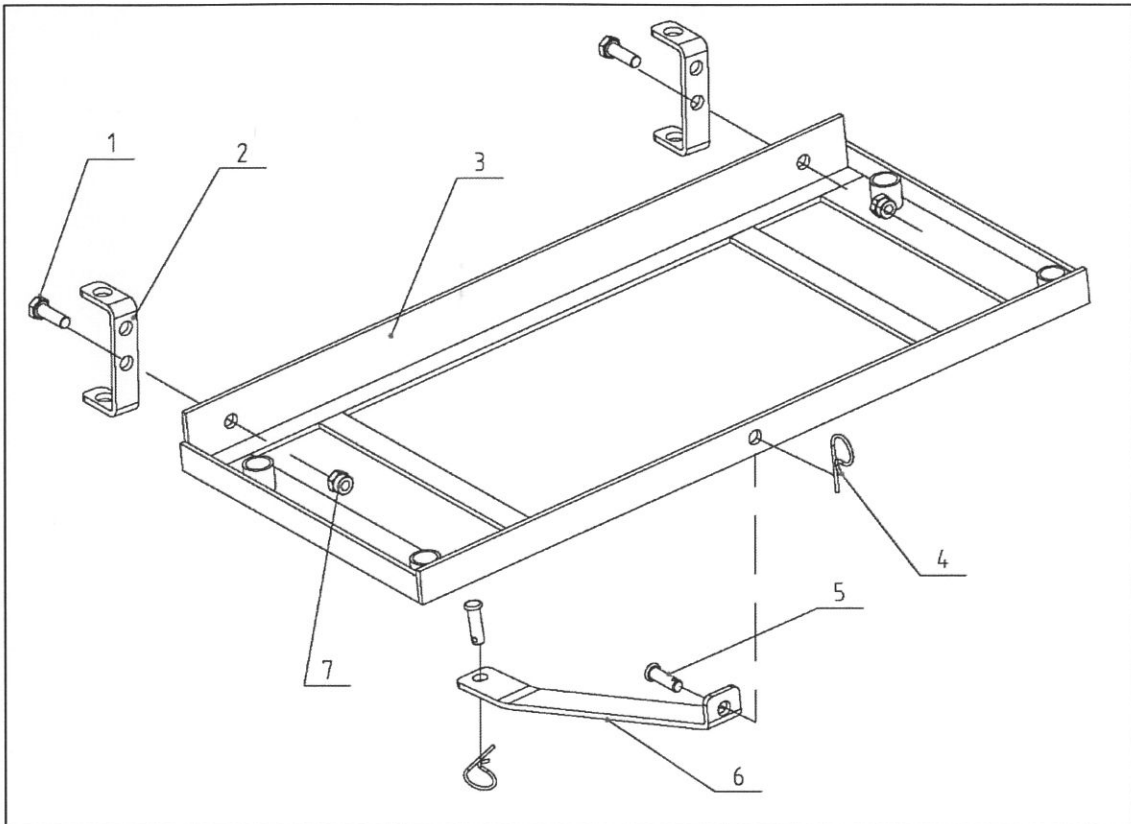


TROLLA SYSTEM --CARRYING PLATE

DRAWING & PARTS LIST



PART NO.	DESCRIPTION	QTY
1	Hex Nut M8x25	2
2	Connect plate	2
3	Frame Weldment	1
4	R Pin	2
5	Axis Pin	2
6	Outrigger	1
7	Nylon Lock Nut M8	2